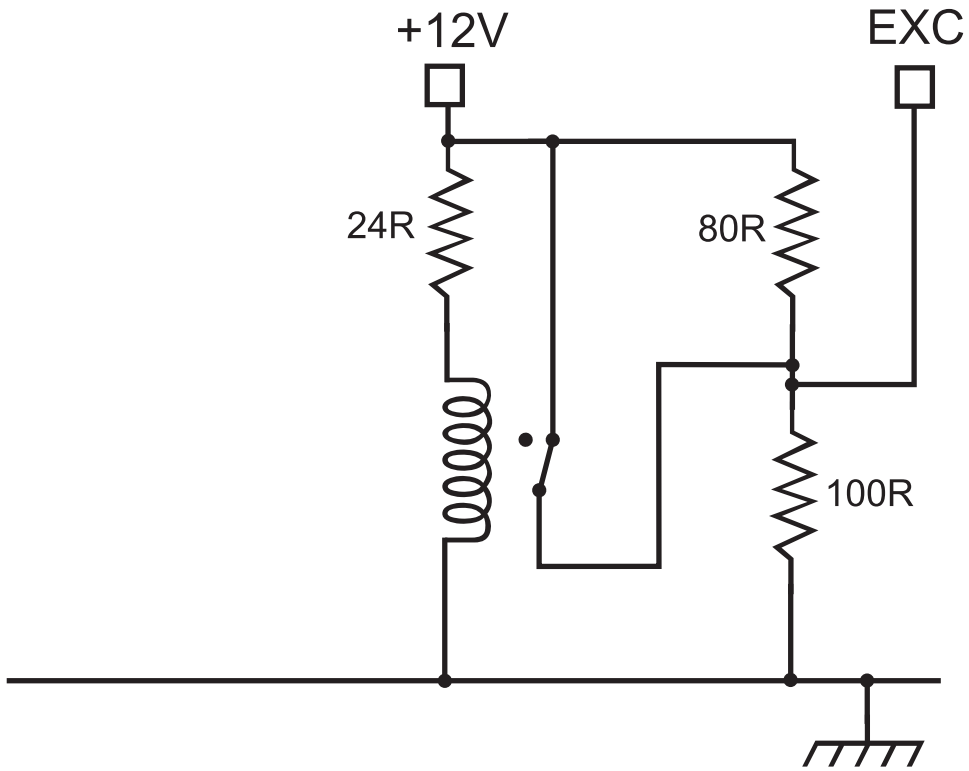


DS regulator schematic



2CV regulator schematic